

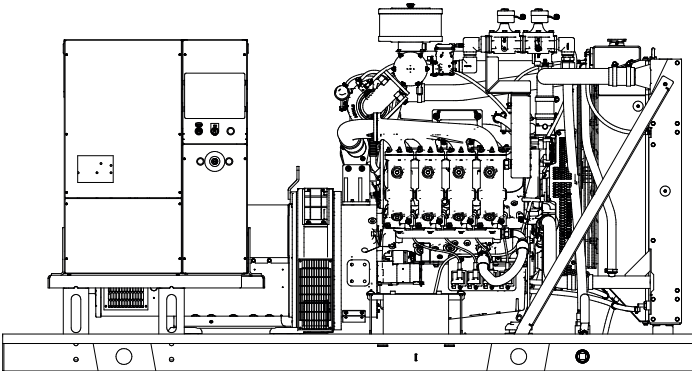
MODEL

**HNI-200 T6U**



60Hz STANDBY POWER RATINGS

200kW/60Hz/1800RPM



VOLTAGE VAC	120/208V	139/240V	277/480V	347/600V
RATING	NG	NG	NG	NG
PHASE	3	3	3	3
PF	0.8	0.8	0.8	0.8
HZ	60	60	60	60
KW	200	200	200	200
KVA	250	250	250	250
AMPS	694	601	300	240

## Description

HIPOWER<sup>®</sup> Heavy Duty Industrial generators are an efficient, reliable and versatile source of back-up electrical power that have been designed to operate in the most extreme working conditions. All HIPOWER<sup>®</sup> Heavy Duty Industrial generators combine an innovative design and the use of high quality materials that provide the user with the most dependable power that can be relied on for non-stop power with easy to operate controls.

Powered by a radiator-cooled, industrial PSI Spark Ignited engine that meets current Environmental Protection Agency (EPA) exhaust emission regulations, driving a single bearing, four-pole, three-phase alternator, with IP23 protection. The Emergency Power kVA rating is given with a 125 degree °C alternator winding temperature rise.

## HIPOWER<sup>®</sup> Features and Benefits

**PSI Engine:** Spark Ignited Engine: Long-life, heavy-duty, 4-cycle, spark-ignited engine for economy of operation and maximum reliability and durability. Capable of full rated load acceptance in one step.

**Cooling:** Radiator with belt driven pusher fan.

**Air Filter:** Heavy-duty replaceable element air-cleaner.

**Alternator:** Single bearing, PMG-Excited, self-ventilated, 12-wire re-connectable, 60Hz brushless alternator with Class H insulation. Automatic voltage regulator (AVR) providing close voltage regulation and skVA starting capability for electric motor loads.

## HIPOWER<sup>®</sup> Features and Benefits

**Enclosure:** Fully sound attenuated enclosure, manufactured using 7-gauge steel and thicker for the base; 12-gauge and 14-gauge for the enclosure, Interpon A4700 primer, in combination with Interpon 600 series coatings, are designed for exterior exposure and offers excellent light and weather resistance exceeding 1400-hr salt spray test. A 1" thick layer of durable sound insulating, oil and fire resistant foam material is installed all around the inside of the enclosure to allow high-pressure water cleaning. Vertical air discharge for quiet operation. Wide steel lockable access doors with rubber seals, easy access for maintenance and service activities, lift off Die Cast Zinc hinges textured black powder coat and corrosion resistant hardware and fasteners.

**Exhaust:** Effective low noise, steel catalytic converter with rain cap.

**Controls:** Digital control panel with manual and automatic start and stop features. Many programmable automatic functions for local and remote controls with LED lights, tamper proof engine hour recorder.

**Certification:** Generator set is UL 2200 Listed and CSA certified and meets ISO 8528-5.

**HIMOinsa POWER SYSTEMS, INC.**

16600 South Theden Street, Olathe, KS 66062

Tel: 913 495 5557 | Fax: 913 495 5575 [www.hipowersystems.com](http://www.hipowersystems.com)

Codes and Standards Compliances used where applicable



**APPLICATION DATA**

ENGINE SPECIFICATION		LUBRICATION SYSTEM	
Manufacturer	PSI	Oil pan capacity - qts (L)	11 (10.4)
Model	8.8LTCAC HO	Oil cooler	Liquid
EPA certified	Yes	Recommended lubricating oil grade	SAE 5W-30 LOW ASH OIL API RATING OF CP/CF OR HIGHER
Crankshaft speed	1,800 rpm	Oil consumption at full load	n/a
Type	NG fueled, 4-stroke	Oil pressure at 1000 rpm– psi (kPa)	58 (400)
Igniton	Spark Plug	ENGINE ELECTRICAL SYSTEM	
Aspiration	Charged Cooled Forced Induction	Starting motor voltage	12 volt
Number of Cylinders	8	Cold Cranking Amps - minimum	N/A
Cylinder arrangement	V-Type	Battery charging Alternator	45 Amp
Displacement CID (liters)	536.4 (8.8)	Battery capacity	800CCA 850CA 115RC GROUP SIZE 31F
Bore and Stroke ins (mm)	4.4 x 4.5 (110.5 x 114.3)		
Nominal power	315.8 hp		
Cooling	Liquid		
Governor	Electronic		
Governor Regulation Class	ISO 8528 Part 1 Class G1		
Frequency Regulation	Isochronous		
Starting motor & alternator	12 Volt		
Compression ratio	8.5:1		
Air cleaner type	Dry, replacable cartridge		
ALTERNATOR SPECIFICATION			
Manufacturer	STAMFORD		
Model 120/208V Three phase	UCDI274J		
Model 277/480V Three phase	UCI274H		
Model 347/600V Three phase	UCI274H		
Alternator Type	Four pole, rotating field		
Excitation System	Brushless. PMG-excited		
Power factor	0.8		
Number of leads	12 leads, reconnectable		
Stator Pitch	2/3		
Insulation	Class H		
Windings – Temperature Rise	Class H (125/40° C)		
Enclosure (IEC-34-S)	IP23		
Bearing	Single, sealed		
Coupling	Flexible disc		
Amortisseur windings	Full		
Voltage regulation – no load to full load with MX341 AVR	± 1%		
TIF	<50		
Radio Frequency Emissions compliance	Meets requirements of most industrial and commercial applications		
Line harmonics	5% maximum		

## STANDARD FEATURES

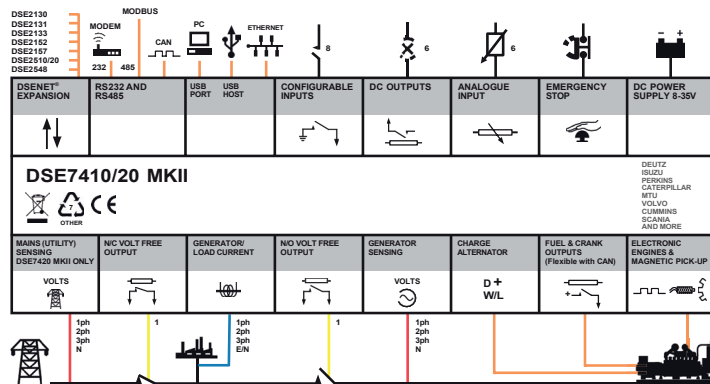
ENCLOSURE	ENGINE SYSTEM	ELECTRICAL SYSTEM
Rust-Proof Fastener with rubber washers to protect finish	Oil Drain Extension w/Valve	Battery
High Performance Sound-Absorbing Material	Air Cleaner	Battery Cables
Gasketed Doors	Fan Guard	Battery Tray
Air Discharge Hoods for Radiators (Upwards/ Downward Pointing)	Factory Filled Oil	<b>GENERATOR SET</b>
Lift Off Door Hinges	<b>ALTERNATOR SYSTEM</b>	
Stainless Steel Lockable Handles	12 Leads	Separation of Circuits – High / Low Voltage
Textured Polyester Powder Coat + Primer	Class H Insulation Material	Wrapped Exhaust Piping
<b>COOLING SYSTEM</b>	Vented Rotor 2/3 Pitch	Standard Factory Testing
Factory-Installed Radiator	Full Load Capacity Alternator	2 Year/ 2000 hours Limited Warranty
Radiator Drain Extension w/Valve	Protective Thermal Switch	Silencer Mounted in the Discharged Hood (Enclosed Models Only)
50/50 Ethylene Glycol Antifreeze	Skewed Stator	

## CONTROL SYSTEM



### DSE7410 MKII

- “Protections disabled” feature
- kW protection
- Reverse power (kW) protection
- LED and LCD alarm indication
- Power monitoring (kWh, kVA, kVAh, kVArh)
- Load switching (load shedding and dummy load outputs)
- Independent Earth Fault trip
- Fuel usage monitor and low fuel alarms
- Configurable display languages
- User selectable simultaneous RS232, RS485 & Ethernet communications
- MODBUS RTU & TCP support
- Configurable MODBUS pages
- Fully configurable via DSE Configuration Suite PC software
- Data logging to assist with fault finding
- PLC editor allows user configurable functions to meet specific application requirements
- License-free PC software
- Multiple date and time scheduler
- DSENet® expansion compatible



Codes and Standards Compliances used where applicable

## CONFIGURABLE OPTIONS

ENCLOSURE	ELECTRICAL SYSTEM	CONTROL SYSTEM
Open Skid	Battery Warmer	Spare Inputs (4x) / Output (4x)
Level 1 Sound Attenuation	Battery Charger	DSE2130 - DSENet Input Expansion Module
Level 2 Sound Attenuation	10 Positions Load Center (100Amps)	DSE2157 - DSENet Output Expansion Module
Level 1 Sound Attenuation (Aluminum Enclosure)	Remote ESTOP w/ N3R break glass	DSE855 - DSENet USB to Ethernet ModBus TCP/IP Comm. Module
Level 2 Sound Attenuation (Aluminum Enclosure)	120V GFCI receptacle	DSE892 - DSENet USB to Ethernet ModBus TCP/IP-SNMP Comm. Module
Snow Hood (Only w/ Level 2)	10A Relay Common Alarm	<b>CIRCUIT BREAKER OPTIONS</b>
<b>ENGINE SYSTEM</b>	10A Run Relay	LSI Electronic trip 80% and 100% rated
Oil Heater	Control Panel Heater	LSIG Electronic trip 80% and 100% rated
120V-1ph Water Jacket Heater (w/ Isolation Valves)	8, 16, & 24 Leds Remote Annunciator on Surface Mounted Box	Second Main Line Circuit Breaker
<b>ALTERNATOR SYSTEM</b>	AC/ DC Enclosure Lighting Kit w/Timer	Shunt Trip
Anti-Condensation Heater	Enclosure Heater	Auxiliary Contacts for MLCB
Rheostat	<b>GENERATOR SET</b>	Auxiliary Contacts for Secondary Breaker
PMG w/ MX341 AVR or MX321 AVR	Extended Test	Mechanical Lugs
	Extended Warranty	
	Custom Testing	

## ENGINEERED OPTIONS

ENCLOSURE	CIRCUIT BREAKER OPTIONS	ALTERNATOR SYSTEM
Air Outlet Gravity Dampers	3rd Breaker System	Bearing RTD's on Alternator
Air Inlet Motorized Dampers (Only w/ L2)	Shunt Trip on 3rd Breaker	Main Stator RTD's on Alternator (2 per Phase)
<b>GENERATOR SET</b>	Auxiliary Contact on 3rd Breaker	Tropical Coating
Seismic Mounts	<b>ELECTRICAL SYSTEM</b>	Alternator Up-Sizing
	240V Twist Lock Receptacle	

## OPERATING DATA

FUEL SYSTEM	
Fuel type	Natural Gas
NG Fuel supply line - inlet	2" NPTF
Natural gas supply pressure	7" to 11" column H2O

FUEL CONSUMPTION - NATURAL GAS (Measured at genset fuel inlet, downstream of any dry fuel or filter accessories)	m3/h	ft3/h	BTU/h
100% load	68.9	2,431	2,431,000
75% load	55.1	1,945	1,945,000
50% load	41.5	1,460	1,460,000
25% load	20.7	730	730,000

COOLING SYSTEM		
Engine cooling air flow	cfm (m³/min)	18,533 (525)
Alternator cooling flow	cfm (m³/min)	1,463 (41.4)
Combustion air flow	cfm (m³/min)	379 (10.7)
Total cooling air flow (engine+alternator+combustion)	cfm (m³/min)	20,375 (577.1)
Total cooling capacity	US gallons (liters)	19.5 (74)
Max Ambient Operating Temperature	°F (°C)	104(40)

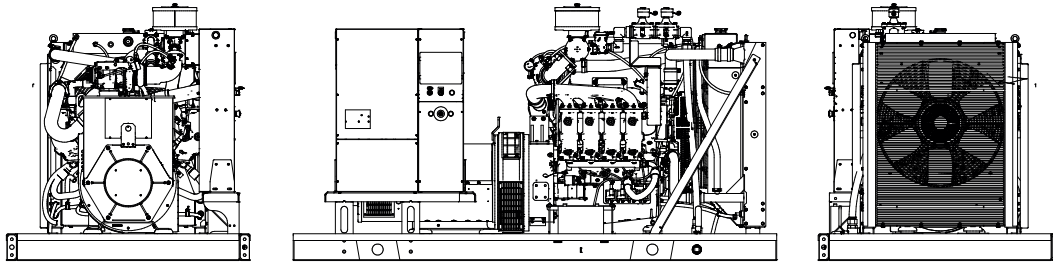
EXHAUST		
Exhaust gas flow	cfm (m³/min)	1272.5(36)
Max. Exhaust temp at full load degrees	°F (°C)	1101 (594)
Max. permissible back pressure	in H2O (kPA )	13.0 (3.2)

## Starting Capabilities (sKVA)

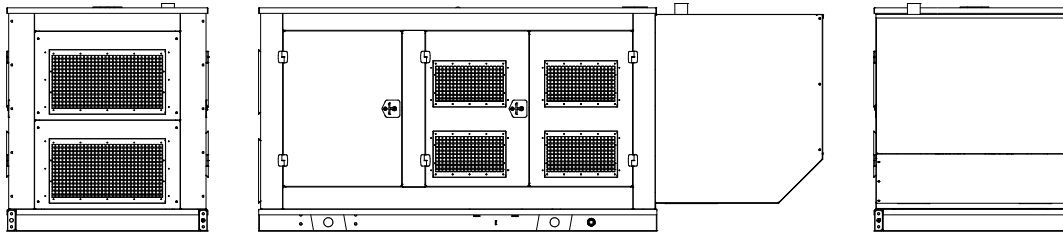
	480V					208/240V					600V				
	10%	15%	20%	25%	30%	10%	15%	20%	25%	30%	10%	15%	20%	25%	30%
Standard	190	300	425	565	725	130	210	295	395	505	170	280	390	525	670
Upsized	175	280	395	525	675	145	230	325	440	560	220	360	510	680	865

## Circuit Breaker

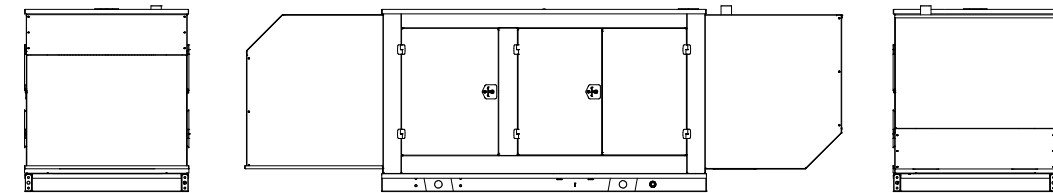
	277/480V	120/208V	120/240V	347/600V
Make and model	ABB XT5NU330AB-FF000XXX	ABB XT6NU3800B-FF000XXX	ABB XT5NU360BB-FF000XXX	ABB XT4NU3250B-FF000XXX
Amps	300A	800A	600A	250 A



CONFIGURATION	L = Length	W = Width	H = Height	Weight lbs	dBA
OPEN SET	109"	55"	58.3"	4530	TBD



CONFIGURATION	L = Length	W = Width	H = Height	Weight lbs	dBA
LEVEL 1 ENCLOSURE	154"	55"	61"	6540	78



CONFIGURATION	L = Length	W = Width	H = Height	Weight lbs	dBA
LEVEL 2 ENCLOSURE	199.5"	55"	61"	6640	75

\* All measurements are approximate and for estimation purposes only. Weights are without fuel tank. Sound levels measured at 23ft (7m) and does not account for ambient site conditions.



**Intertek**

Conforms to UL STD 2200  
 Certified to CSA STD C22.2#100  
 Certified to CSA STD C22.2#14

**HIMOINSA POWER SYSTEMS, INC.**

16600 South Theden Street, Olathe, KS 66062

Tel: 913 495 5557 | Fax: 913 495 5575 | [www.hipowersystems.com](http://www.hipowersystems.com)

REV-03



Codes and Standards Compliances used where applicable

